

RED ROCK

RESCUE BOAT DAVIT

RDA20 RDA31 RDA36

RDA40 RDA60

MARINE



Operator Friendly

Rigid Construction

Reliable

www.redrock.no



Barstølveien 50, 4636 Kristiansand, Norway

RDA20-31-36-40-60 Rescue Boat Davits

RDA Rescue Boat Davits are developed for handling of Fast Rescue Boats (FRC) for marine and offshore vessels, in addition to being applicable towards other special requirements. Whether it involves SOLAS safety related requirements, or additional customized requirements, the RDA Rescue Boat Davits can be equipped to perform the task.

RDA Rescue Boat Davits can be supplied with a range of options depending on operational requirements. The unit features a ridged A-frame construction for stable and safe operation and is designed considering optimizing service and maintenance procedures. The davit winch and jib movements are operated from a control stand nearby. Start/stop and emergency stop are also at the control stand.

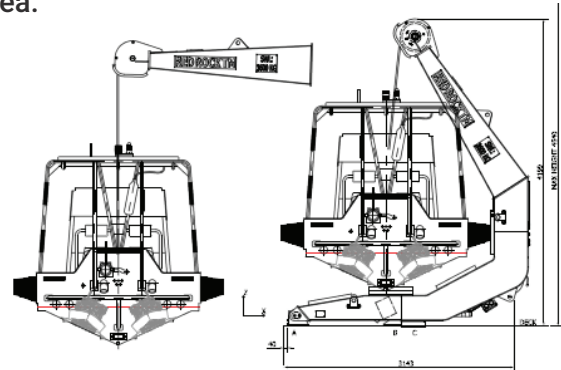
MAIN OPERATIONAL DATA	RDA20	RDA31	RDA36	RDA40	RDA60
Lifting capacity (SWL)	2000 kg	3100 kg	3 600 kg	4000 kg	6 000 kg
Hoisting and Lowering speed	0-18 m/min	0-18 m/min	0-48 m/min	0-48 m/min	0-48 m/min
Weight, dry without load	~1 600kg	~2 700kg	~2 900kg	~2 950kg	~3 900 kg
Voltage, main motor	380/440/690 - 50/60 Hz				
Paint system.	3 layer of total 200 my dft, top coat RAL 9016.				
Starter with accessories.	Direct-On-Line. Star Delta/soft starter on request.				
Control Stand	To be placed by the ship side, close to the davit.				
HPU	Integrated in the davit steel structure				

Available Options

- Constant Tension system acting as wave compensator.
- Shock absorbing cylinder for smooth handling of the Rescue Boat.
- Parking cradle for additional support in parked position.
- Pivot Towing Boom for handling painter line from Rescue Boat.
- Anti Pendulum device for safe handling of Rescue Boat.
- Equipment for protection against icing under extreme low temperature.
- Davit mounted on moveable skid for parking in protected area.

Documentation

EC Type –Examination Certificate, issued by DNV.
 EC Declaration of Conformity, issued by DNV.
 Red Rock TM Workshop Test Report, witnessed by DNV.
 Red Rock TM Declaration of Conformity
 LSA-Code, SOLAS 74 and HSC Code.
 Wheel Mark Certification.



Alternative Products

Red Rock TM provides Work Boat Davits for lifting capacity (SWL) from 6.0T up to 15.0T.
 Red Rock TM provides Daughter Craft Davits for lifting capacity (SWL) from 8.0T up to 12.0T.
 Red Rock TM provides Telescopic Davits special design to be mounted into ships recess area.

Red Rock is an international company that provides products and services in segments like Industry, Offshore, Marine, IT and Telecom. We strive to continuously improve design and quality in close cooperation with customer demands and in compliance with current regulations. Our staff consists of both highly educated and experienced employees with technically competent background.