



Engine room total flooding High pressure water mist

As one of the world's few manufacturer, Danfoss Semco can offer protection of your engine room with a true high-pressure water mist without any additives. The advantage of the Sem-Safe system is that the very small quantities of water it uses are harmless to personnel and equipment.

Even electrical equipment is left undamaged, provided that protection is better than IP 22.

The Sem-Safe system is approved by all major classification societies IP 23. Consequently, it can replace Halon or can be used as a substitute for traditional CO₂ systems.



SEM-SAFE
WATER MIST SYSTEM



HIGH AND LOW PRESSURE
CO₂ SYSTEMS



FOAM FIRE
EXTINGUISHING SYSTEM



DRY CHEMICAL
POWDER FIRE EXTINGUISHING SYSTEM

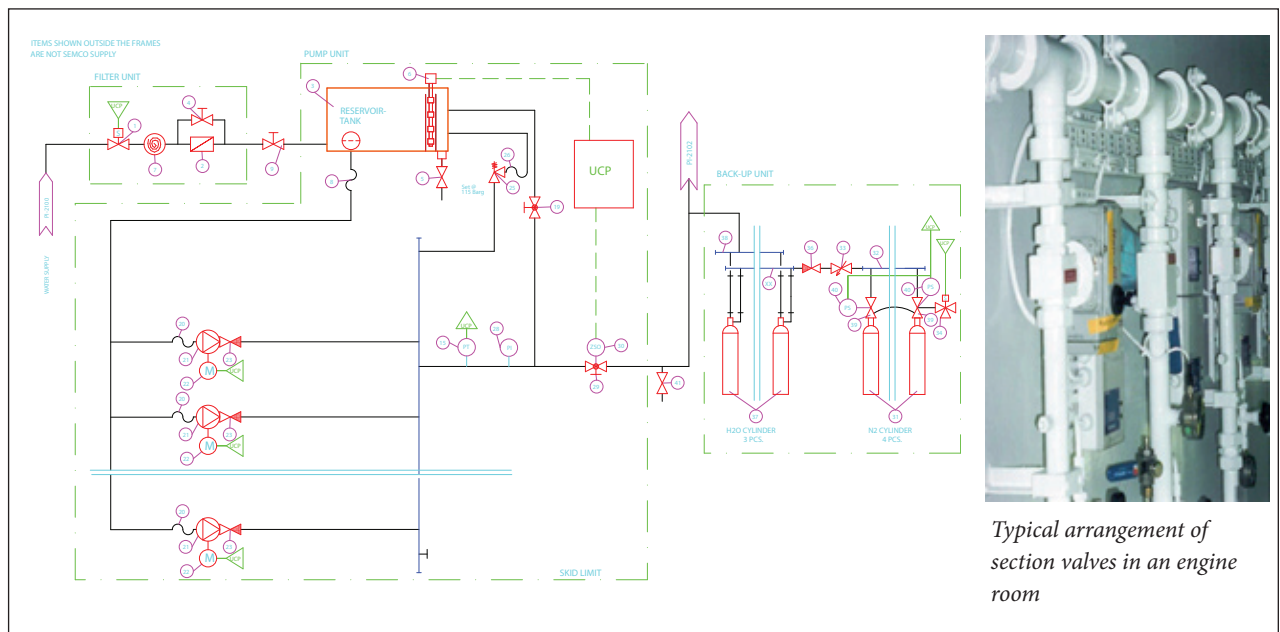
How water mist functions

Water mist is water that, at a high-pressure of 100 bar, creates a fine mist or fog. The fine water mist evaporates very quickly and the resulting steam starves the fire of oxygen, suppressing it. At the same time, the water evaporation creates the most efficient form of cooling. In this way, the fire is extinguished both by oxygen suppression and cooling, providing the advantages of both water and gas-based fire fighting.

High-pressure systems only create a high pressure during extinguishing. High pressure water mist will cool the areas around hot metal surfaces and the water mist evaporates before it reaches the hot metal. In this way, shock cooling and changes in metal structures can be avoided.

Danfoss Semco has been working with high-pressure water mist right from the start. This revolutionary new system is finding its way into more and more application areas, offering an efficient system that is environmentally friendly as well as harmless to users.

APPROVAL LEVELS AND EXPERIENCE. We have already seen fires being almost instantly extinguished by the system after its release, thus saving repair costs and off-hire periods.



Typical arrangement of section valves in an engine room



www.danfoss-semco.com

DANFOSS SEMCO A/S
FIRE PROTECTION
SVENDBORGVEJ 253
DK-5260 ODENSE S.
PHONE: +45 7026 3801
FAX: +45 7026 3802
semsafe@danfoss-semco.com